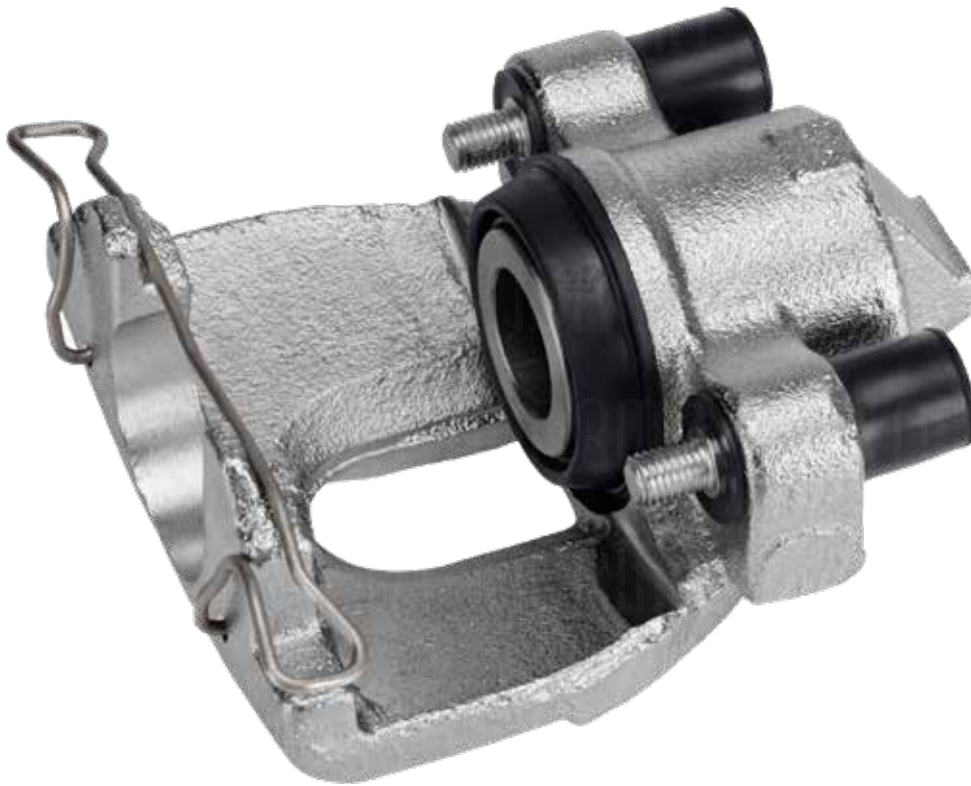


# Brake Calipers (passenger vehicles)



## EN

**Autonorma** company allows its customers to return their old parts for the purpose of deposit refund. After accepting the old part, the customer is either refunded full/reduced deposit or the deposit is forfeited to the company. The conditions for accepting old parts are different for each assortment group and determine whether a particular old part can still be refurbished or not.

Each old part is inspected and evaluated upon receipt according to the conditions specified later in this document. Simply put, old parts are classified into categories **A**, **B**, and **C**. However, there are cases where there are only two categories, and alternatively, more than three. If the part is evaluated as A grade, **no deduction is applied**; in case of B grade, the deposit is **reduced by 50 %**; finally, grade C warrants **full 100 % deduction** on the deposit. Deductions may vary for individual assortment groups.

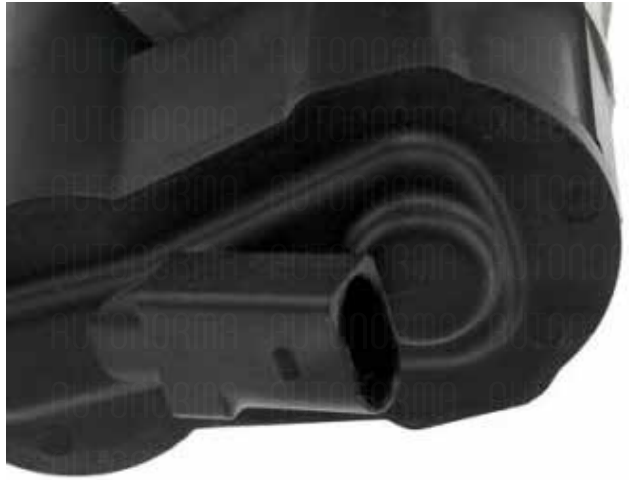
# Brake Calipers (passenger vehicles)

**A – GRADE** 0 %  
Price reduction:

Undamaged part,  
complete without any missing components



Undamaged electrical connector



Original packaging with legible product label



# Brake Calipers (passenger vehicles)

**C – GRADE**  
Price reduction: **100 %**

Mechanical damage – crack



Damaged thread



Heavy corrosion



Damaged / missing connector



## Brake Calipers (passenger vehicles)

**C – GRADE** **100 %**  
Price reduction:

Not original packaging / illegible product label

